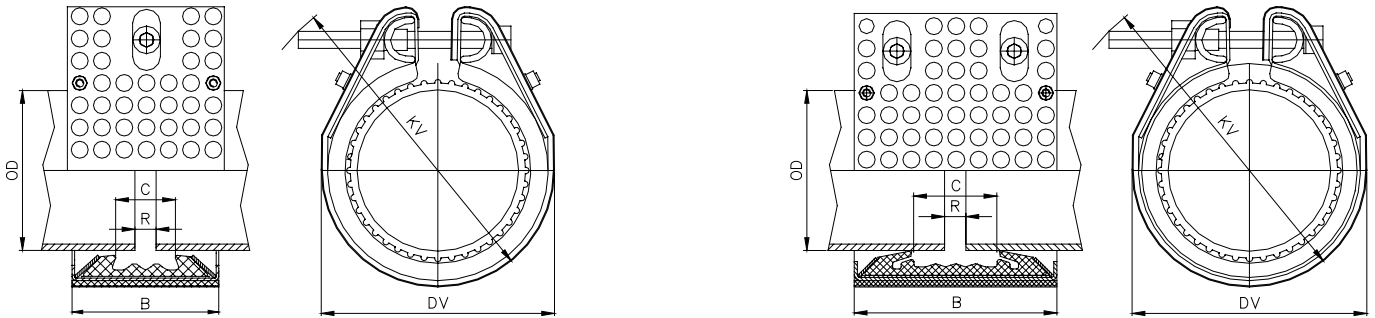


STRAUB-GRIP-L-FIRE-FENCE Ø 26.9 - 219.1 mm

Components / Materials	W1	W2	W4	W5
Casing				AISI 316 L / 316 TI
Bolts				A4 - 80
U-Bars				AISI 316 L / 316 TI
Anchoring rings				AISI 301
Strip insert (option)				AISI 316 L / PVDF

Sealing sleeve EPDM	Temp.: -20°C up to +100°C Medium: all qualities of water, waste water, air, solids and chemical products
Sealing sleeve NBR	Temp.: -20°C up to +80°C Medium: water, gas, oil, fuel and other hydrocarbons
Sealing sleeve H-NBR (on request)	Temp.: -20°C up to +125°C Medium: water, gas, oil, fuel and other hydrocarbons
Sealing sleeve FPM / FKM	Temp.: -20°C up to +180°C Medium: ozone, oxygen, acids, gas, oil and fuel (only with strip insert)



26.9 - 60.3 with single bolt

OD [mm]	Clamping range [mm]	PS [bar]	B [mm]	C [mm]	DV [mm]	KV [mm]	R without strip insert [mm]	R with strip insert [mm]	Torque rate [Nm]	Allen head [mm]	Thread M...
26.9	26.4 - 27.4	46.0	56	19	53	75	5	5	5	5	6
30.0	29.5 - 30.5	42.0	56	17	57	80	5	5	5	5	6
33.7	33.2 - 34.2	38.0	56	17	61	80	5	5	5	5	6
38.0	37.5 - 38.5	33.0	71	25	67	95	5	5-10	7.5	6	8
42.4	41.9 - 42.9	30.0	71	25	72	100	5	5-10	7.5	6	8
44.5	44.0 - 45.0	33.0	71	25	74	100	5	5-10	7.5	6	8
48.3	47.8 - 48.8	30.0	71	25	77	105	5	5-10	7.5	6	8
54.0	53.5 - 54.5	20.0	86	37	86	110	5-10	5-15	7.5	6	8
57.0	56.4 - 57.6	18.0	86	37	86	110	5-10	5-15	10	6	8
60.3	59.7 - 60.9	22.0	86	37	89	115	5-10	5-15	7.5	6	8
66.6	64.9 - 67.3	34.0	111	35	97	131	5-10	5-20	10	6	8
70.0	68.9 - 70.7	32.0	111	36	102	136	5-10	5-20	10	6	8
73.0	72.3 - 73.7	31.0	111	41	106	147	5-10	5-25	12	6	8
76.1	75.3 - 76.9	31.0	111	41	108	147	5-10	5-25	12	6	8
79.5	78.7 - 80.3	28.0	111	35	110	147	5-10	5-25	12	6	8
84.0	83.2 - 84.8	26.0	111	35	122	157	5-10	5-25	12	6	8
88.9	88.0 - 89.8	22.0	111	41	121	162	5-10	5-25	12	6	8
100.6	99.6 - 101.6	22.0	111	35	139	177	5-10	5-25	12	6	8
101.6	100.6 - 102.6	22.0	111	35	140	177	5-10	5-25	15	6	8
104.0	103.0 - 105.0	22.0	111	35	142	177	5-10	5-25	12	6	8
104.8	103.8 - 105.8	22.0	111	35	143	177	5-10	5-25	12	6	8
108.0	106.9 - 109.1	21.0	111	41	140	177	5-10	5-25	12	6	8
114.3	113.2 - 115.4	16.0	111	41	146	182	5-10	5-25	12	6	8
127.0	125.7 - 128.3	19.0	126	54	161	200	5-10	5-30	20	8	10
129.0	127.7 - 130.3	19.0	126	54	163	200	5-10	5-30	20	8	10
130.2	128.9 - 131.5	19.0	126	54	164	205	5-10	5-30	20	8	10
133.0	131.7 - 134.3	19.0	126	54	167	205	5-10	5-30	20	8	10
139.7	138.3 - 141.1	16.0	126	54	174	215	5-10	5-30	20	8	10
141.3	139.9 - 142.7	16.0	126	54	176	215	5-10	5-30	20	8	10
154.0	152.5 - 155.5	16.0	126	48	194	230	5-10	5-30	20	8	10
159.0	157.4 - 160.6	16.0	126	54	193	230	5-10	5-30	20	8	10
168.3	166.6 - 170.0	16.0	126	54	202	235	5-10	5-30	20	8	10
219.1	216.9 - 221.3	16.0	158	80	260	300	5-10	5-30	60	10	12

Remarks:

- Follow fitting / disassembly instructions
- PS = Working pressure considering the application loads
Test pressure = PS x 1.5 (for example industry, water supply etc.)
- The pressure values are valid on radial rigid carbon steel pipes under static loads
- For minimum wall-thickness of pipe, see technical manual
- Strip inserts are required for special applications

For IPS sizes in bold see technical manual for actual OD

Typing errors may occur. Technical details are subject to change