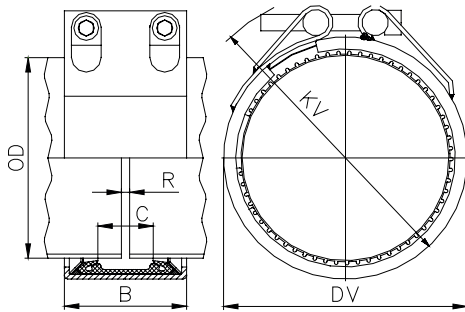


STRAUB-METAL-GRIP Ø 180.0 - 609.6 mm

| Components / Materials | W1 | W2 | W4 | W5 |
|------------------------|--|----|----|----|
| Casing | AISI A106, hot-dip galv. | | | |
| Bolts | AISI 4135 | | | |
| Bars | AISI 12 L 14, galvanised | | | |
| Anchoring rings | AISI 301 | | | |
| Strip insert (option) | AISI 316 L / PVDF | | | |
| Sealing sleeve | Temp.: -30°C up to +100°C | | | |
| EPDM | Medium: all qualities of water, waste water, air, solids and chemical products | | | |
| Sealing sleeve | Temp.: -20°C up to +80°C | | | |
| NBR | Medium: water, gas, oil, fuel and other hydrocarbons | | | |



| OD [mm] | Clamping range [mm] | PS [bar] | B [mm] | C [mm] | DV [mm] | KV [mm] | R without strip insert [mm] | R with strip insert [mm] | Torque rate [Nm] | Allen head [mm] | Thread M... |
|--------------|----------------------|-------------|------------|-----------|------------|------------|-----------------------------|--------------------------|------------------|-----------------|-------------|
| 180.0 | 178.0 - 182.0 | 29.0 | 148 | 67 | 225 | 285 | 5-15 | 5-35 | 150 | 17 | 20 |
| 193.7 | 192.0 - 195.5 | 29.0 | 148 | 67 | 239 | 300 | 5-15 | 5-35 | 150 | 17 | 20 |
| 200.0 | 198.0 - 202.0 | 28.0 | 148 | 67 | 245 | 305 | 5-15 | 5-35 | 180 | 17 | 20 |
| 206.0 | 204.0 - 208.0 | 28.0 | 148 | 67 | 251 | 310 | 5-15 | 5-35 | 180 | 17 | 20 |
| 244.5 | 242.0 - 247.0 | 27.0 | 148 | 67 | 290 | 345 | 5-15 | 5-35 | 180 | 17 | 20 |
| 267.0 | 264.5 - 269.5 | 24.0 | 148 | 67 | 312 | 365 | 5-15 | 5-35 | 180 | 17 | 20 |
| 273.0 | 270.5 - 275.5 | 21.0 | 148 | 67 | 318 | 370 | 5-15 | 5-35 | 180 | 17 | 20 |
| 323.9 | 320.5 - 327.0 | 18.0 | 148 | 67 | 369 | 420 | 5-15 | 5-35 | 230 | 17 | 20 |
| 355.6 | 352.0 - 359.0 | 17.0 | 148 | 67 | 401 | 450 | 5-15 | 5-35 | 230 | 17 | 20 |
| 406.4 | 402.5 - 410.5 | 14.0 | 148 | 67 | 451 | 500 | 5-15 | 5-35 | 230 | 17 | 20 |
| 457.2 | 452.5 - 462.0 | 8.0 | 148 | 67 | 502 | 550 | 5-15 | 5-35 | 250 | 17 | 20 |
| 508.0 | 503.0 - 513.0 | 6.0 | 148 | 67 | 604 | 600 | 5-15 | 5-35 | 250 | 17 | 20 |
| 558.8 | 554.0 - 564.0 | 6.0 | 148 | 67 | 604 | 650 | 5-15 | 5-35 | 300 | 17 | 20 |
| 609.6 | 604.5 - 614.5 | 5.0 | 148 | 67 | 655 | 700 | 5-15 | 5-35 | 300 | 17 | 20 |

STRAUB produces custom made couplings from 180.0 up to 609.6 mm

Remarks:

- Follow fitting / disassembly instructions
- PS = Working pressure considering the application loads
Test pressure = PS x 1.5 (for example industry, water supply etc.)
- The pressure values are valid on radial rigid carbon steel pipes under static loads
- For minimum wall-thickness of pipe, see technical manual
- Strip inserts are required for special applications

For IPS sizes in bold see technical manual for actual OD